

**01 - 09.7**

06.09

**Check valves  
ZV 226 LDM**



# ZV 226



## Check valves DN 15 to 200, PN 40

### Description

Check valves ZV 226 are self-acting shut-off valves for application at long-lasting and maintenance-free operation. Valves meet the ČSN EN 14341. Valves in execution ZV 226 P are closed by back pressure with spring with weight of plug assistance, Opening overpressure is 0,05 - 0,1 bar. Valves in execution ZV 226 T are closed by back pressure only with weight of plug assistance.

### Application

The valve is designed for application as self-acting reverse shut-off valve. In the valve is warranted Leakage rate class 'C' acc. to ČSN - EN 12266-1 therefore in the case of higher tightness request is necessary to install into pipeline the shut off valve. The valves are especially designed for applications in hot-water and steam circuits in power plants, heating plants, heat exchange stations, heat transferring stations and common heating applications.

### Process media

The valves ZV 226 are suitable to use for water, steam and other liquids and gases which are compatible with used material of the valve body and inner parts.

### Installation

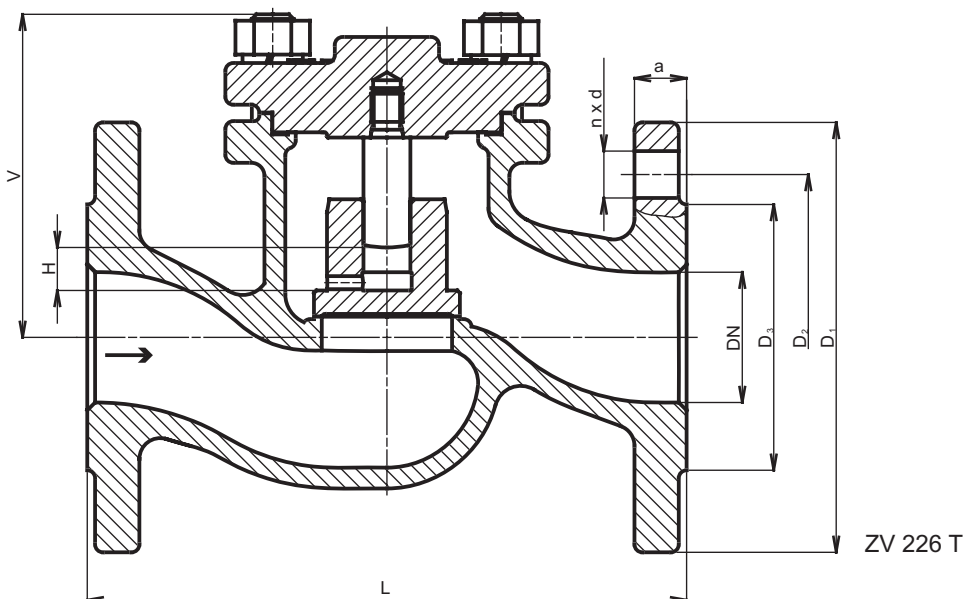
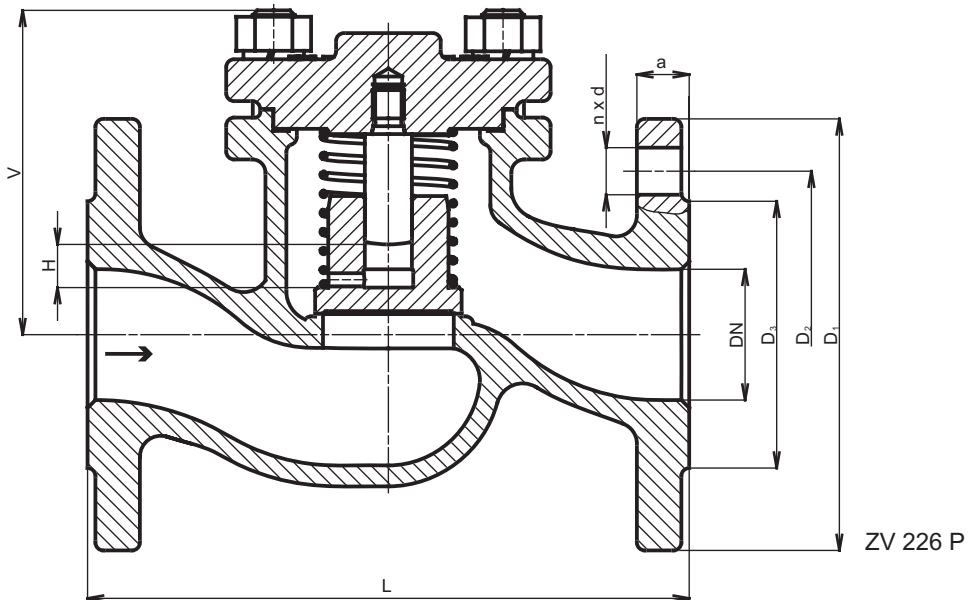
The valves are designed for mounting in a horizontal pipeline by the bonnet upwards, flow direction is always to under the plug and is determined by the arrow on the body.

### Technical data

Series	ZV 226
Type of valve	Check valve
Nominal size range	DN 15 to 200
Nominal pressure	PN 40
Body material	Cast steel 1.0619
Plug material	Stainless steel 1.4028
Material pin	Stainless steel 1.4021
Spring material	Stainless steel 1.4310
Operating temperature range	-10 to +400°C
Connection	Flanges Type B1 (raised-faised) acc. to ČSN-EN 1092-1 (3/2008) Face to face dimensions acc. to ČSN-EN 558-1 (3/1997)
Type of plug	Disc
Kvs values	4,3 to 570 m <sup>3</sup> /h
Leakage rate	Rate C acc.to ČSN-EN 12266-1 (11/2003)

## Dimensions and weights for the ZV 226

DN	D <sub>1</sub> mm	D <sub>2</sub> mm	D <sub>3</sub> mm	d mm	n	a mm	H mm	L mm	V mm	m kg
15	95	65	45	14	4	16	6	130	75	3
20	105	75	58			18				4
25	115	85	68			10				4.5
32	140	100	78			200				7.5
40	150	110	88	18	8	20	16.5	230	124	8
50	165	125	102			22				17
65	185	145	122	22	8	24	25	310	175	28
80	200	160	138			26				40
100	235	190	162			28				40
125	270	220	188	26	8	26	40	400	260	71
150	300	250	218			28				95
200	375	320	285	30	12	34	50	600	270	221



## The valve complete specification No. for ordering ZV 226

		XX	XXX	XXX	XX	/	XXX	-	XXX
1. Valve	Check valve, direct	ZV							
2. Type	Check valve made of cast steel 1.0619		226						
3. Function	Check valve with spring			P					
	Check valve without spring			T					
4. Connection	Raised-raised flange (See note)			1					
5. Material body	Cast steel 1.0619			1					
6. Nominal pressure PN	PN 40				40				
7. Max. temperature °C	400°C						400		
8. Nominal size DN	DN 15 to 200								XXX

Ordering example: **ZV 226 P11 40/400-050**

Note: Other type of connection (plain flange, female flange, etc.) on request.

## Kvs, differential pressure values and loss coefficient $\zeta$ (zeta)

DN	Kvs [m <sup>3</sup> /h]	$\zeta$	$\Delta p_{max}$ [MPa]
15	4.3	4.5	4.00
20	7.0	5.2	4.00
25	11.0	5.2	4.00
32	17.5	5.5	4.00
40	27.0	5.6	4.00
50	47.0	4.5	4.00
65	68.0	6.2	4.00
80	116.0	4.9	4.00
100	162.0	6.1	4.00
125	250.0	6.2	4.00
150	364.0	6.1	2.00
200	570.0	7.9	4.00

## Max. permissible pressure values [MPa]

Material	PN	Temperature [ °C ]									
		RT <sup>1)</sup>	100	120	150	200	250	300	350	375	400
Cast steel 1.0619 (GP240GH)	40	3.90	3.41	3.31	3.17	2.84	2.60	2.35	2.19	2.16	2.11

<sup>1)</sup> -10°C to 50°C